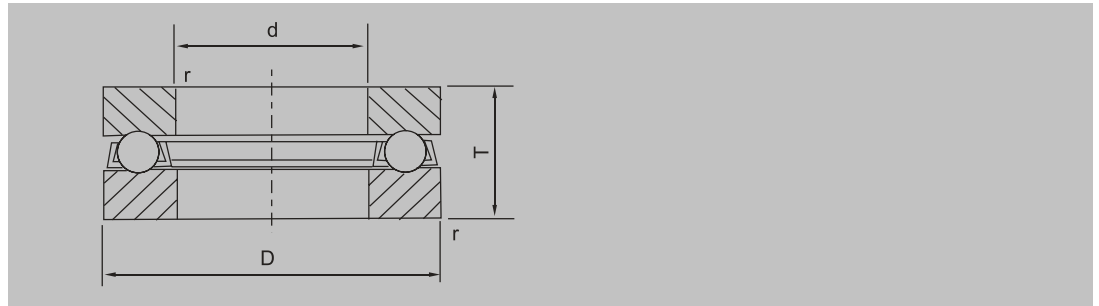
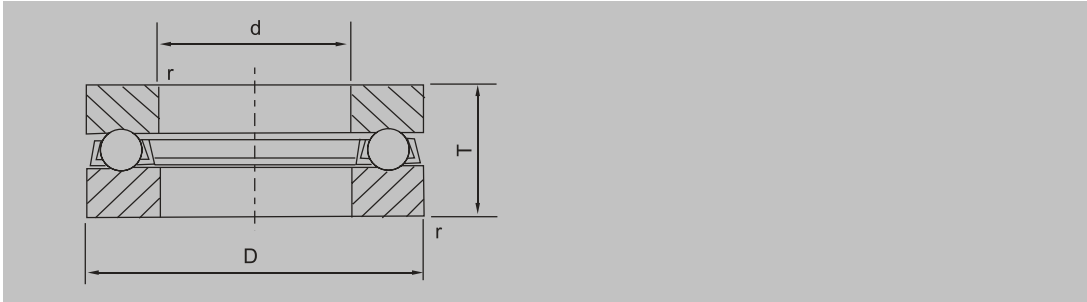


# Thrust Ball Bearings



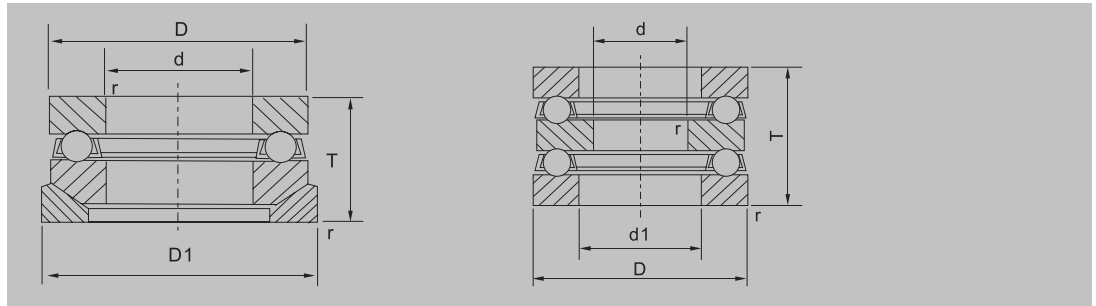
Bearing Number	Bore(d) mm	OD(D) mm	Height(T) mm	Radius(r) mm	Basic Load Rating(KN)		Weight Kg
					Dynamic(Ca)	Static(Coa)	
51100	10	24	9	0.5	10	14	0.019
51101	12	26	9	0.5	10.2	15.2	0.021
51102	15	28	9	0.5	10.5	16.8	0.024
51103	17	30	9	0.5	10.8	18.2	0.025
51104	20	35	10	0.5	14.2	24.5	0.038
51105	25	42	11	1	15.2	30.2	0.056
51106	30	47	11	1	16	34.2	0.066
51107	35	52	12	1	18.2	41.5	0.083
51108	40	60	13	1	26.8	62.8	0.12
51109	45	65	14	1	27	66	0.15
51110	50	70	14	1	27.2	69.2	0.16
51111	55	78	16	1	33.8	89.2	0.24
51112	60	85	17	1.5	40.2	108	0.29
51113	65	90	18	1.5	40.5	112	0.324
51114	70	95	18	1.5	40.8	115	0.36
51115	75	100	19	1.5	48.2	140	0.392
51116	80	105	19	1.5	48.5	145	0.433
51117	85	110	19	1.5	49.2	150	0.46
51118	90	120	22	1.5	65	200	0.655
51120	100	135	25	1.5	85	268	1
51122	110	145	25	1.5	87	288	1.08
51200	10	26	11	1	12.5	17	0.029
51201	12	28	11	1	13.2	19	0.032
51202	15	32	12	1	16.5	24.8	0.044
51203	17	35	12	1	17	27.2	0.051
51204	20	40	14	1	22.2	37.5	0.073
51205	25	47	15	1	27.8	50.5	0.109
51206	30	52	16	1	28	54.2	0.138
51207	35	62	18	1.5	39.2	78.2	0.22
51208	40	68	19	1.5	47	98.2	0.27
51209	45	73	20	1.5	17.8	105	0.32
51210	50	78	22	1.5	48.5	112	0.39
51211	55	90	25	1.5	67.5	158	0.69
51212	60	95	26	1.5	73.5	178	0.69
51213	65	100	27	1.5	74.8	188	0.75
51214	70	105	27	1.5	73.5	188	0.79
51215	75	110	27	1.5	74.8	198	0.85
51216	80	115	28	1.5	83.8	222	0.925
51217	85	125	31	1.5	102	280	1.3
51218	90	135	35	2	115	315	1.77
51220	100	150	38	2	132	375	2.4
51222	110	160	38	2	138	412	2.6
51224	120	170	39	2	135	412	2.9
51226	130	190	45	2.5	188	575	4.32
51228	140	200	46	2.5	190	598	4.6
51305	25	52	18	1.5	35.5	61.5	0.171
51306	30	60	21	1.5	42.8	78.5	0.265
51307	35	68	24	1.5	55.2	105	0.378
51308	40	78	26	1.5	69.2	135	0.55
51309	45	85	28	1.5	75.8	150	0.69
51310	50	95	31	2	96.5	202	1
51311	55	105	35	2	115	242	1.34

# Thrust Ball Bearings



Bearing Number	Bore(d) mm	OD(D) mm	Height(T) mm	Radius(r) mm	Basic Load Rating(KN)		Weight Kg
					Dynamic(Ca)	Static(Coa)	
51312	60	110	35	2	118	262	1.43
51313	65	115	36	2	115	262	1.57
51314	70	125	40	2	148	340	1.95
51315	75	135	44	2.5	162	380	2.7
51316	80	140	44	1.5	160	380	2.8
51317	85	150	49	1.5	208	495	3.7
51318	90	155	50	1.5	205	495	3.9
51320	100	170	55	2.5	235	595	5.1
51406	30	70	28	1.5	72.5	126	0.516
51407	35	80	32	2	87	155	0.759
51408	40	90	36	2	112	205	1.08
51409	45	100	39	2	130	242	1.43
51410	50	110	43	2.5	158	310	1.9

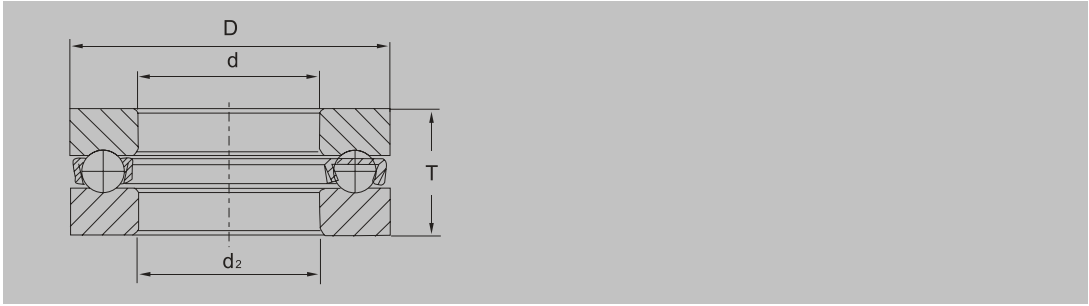
# Thrust Ball Bearings



Bearing Number	Bore(d) mm	OD(D) mm		Height(T) mm	Radius(r) mm	Basic Load Rating(KN)		Weight Kg
		D	D1			Dynamic(Ca)	Static(Coa)	
53204 U	20	40	42	17	1	22.3	37.3	0.100
53205 U	25	47	50	19	1	27.8	50.4	0.152
53206 U	30	52	55	20	1	29.3	58.2	0.193
53207U	35	62	65	22	1.5	39.2	78.2	0.277
53208 U	40	68	72	23	1	47	98.2	0.340
53209 U	45	73	78	24	1	47.7	105	0.397
53210 U	50	78	82	26	1	48.5	111	0.480
53211 U	55	90	95	30	1	69.4	159	0.770
53212 U	60	95	100	31	1.5	73.6	179	0.850
53309 U	45	85	90	33	1.5	80	163	0.850
53310 U	50	95	100	37	1.5	91.6	186	1.24
53313 U	65	115	120	43	2	128	287	1.95

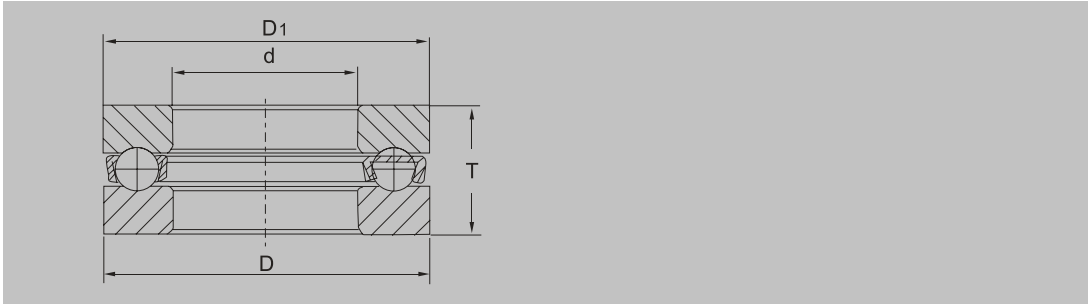
Bearing Number	Bore(d) mm		OD(D) mm	Height(T) mm	Radius(r) mm	Basic Load Rating(KN)		Weight Kg
	d	d1				Dynamic(Ca)	Static(Coa)	
52204	22	15	40	26	1	22.2	37.5	0.144
52205	27	20	47	28	1	27.8	50.5	0.23
52206	32	25	52	29	1	28	54.2	0.26
52207	37	30	62	34	1.5	39.2	78.2	0.405
52208	42	30	68	36	1.5	47	98.2	0.54
52209	47	35	73	37	1.5	47.8	105	0.64
52210	52	40	78	39	1.5	48.5	112	0.71
52211	57	45	90	45	1.5	67.5	158	1.12
52212	62	50	95	46	1.5	74.8	188	1.15
52213	67	55	100	47	1.5	73.5	188	1.36
52214	72	55	105	47	1.5	74.8	198	1.52
52215	77	60	110	47	1.5	83.8	222	1.6
52216	82	65	115	48	1.5	102	280	1.73
52217	88	70	125	55	1.5	115	315	2.22
52218	93	75	135	62	2	132	375	3.14
52220	103	85	150	67	2	138	412	4.2

# Thrust Ball Bearings



Bearing Number	Bore(d) mm	Bore(d2) mm	OD(D) mm	Height(T) mm	Basic Load Rating(Kgf)		Weight Kg
					Ca	Coa	
2900	10	10.2	26	12	995	1390	0.033
2901	12	12.2	28	12	1030	1540	0.037
2902	15	15.2	31	12	1120	1850	0.041
2903	18	18.2	35	12	1130	2010	0.045
2904	20	20.2	37	12	1160	2160	0.055
2904 1/2	22	22.2	42	14	1490	2820	0.084
2905	25	25.2	45	14	1510	3000	0.094
2906	30	30.2	50	14	1580	3400	0.108
2907	35	35.2	55	16	2340	5050	0.138
2908	40	40.2	60	16	2450	5650	0.154
2909	45	45.2	68	16	2540	6300	0.200
2910	50	50.2	74	18	3000	7600	0.257
2911	55	55.2	78	18	3150	8400	0.264
2912	60	60.2	82	18	3150	8750	0.270
2913	65	65.2	90	20	3250	9500	0.372
2914	70	70.2	95	20	3400	10300	0.396
2915	75	75.2	100	20	3500	11100	0.420

# Thrust Ball Bearings



Bearing Number	Bore(d) mm	OD(D) mm		Height(T) mm	Basic Load Rating(KN)		Weight Kg
		D	D1		Dynamic(Ca)	Static(Coa)	
0-4	12.700	32.544	31.750	15.875	12.74	19.80	0.063
0-5	15.875	35.719	34.925	15.875	13.23	21.76	0.073
0-6	19.050	38.89	38.89	15.875	16.37	27.54	0.081
0-7	22.225	42.069	41.275	15.875	14.60	27.64	0.90
0-8	25.400	45.244	44.450	15.875	20.38	37.24	0.100
0-9	28.575	48.419	47.625	15.875	15.68	33.32	0.109
0-10	31.750	53.181	52.388	18.256	21.36	43.12	0.149
0-11	34.925	56.356	55.562	18.256	22.93	49.49	0.161
0-12	38.100	59.531	58.738	18.256	23.32	52.43	0.172
0-13	41.275	62.706	61.912	18.256	23.72	55.37	0.183
0-14	44.450	68.262	67.469	19.05	24.89	61.74	0.231
0-15	47.625	71.438	70.644	19.05	37.6	89.2	0.25
0-16	50.800	75.406	74.612	19.050	29.40	74.48	0.268
0-17	53.975	81.756	80.962	22.225	26.75	73.99	0.380
0-18	57.150	84.931	84.138	22.225	30.87	85.75	0.399
0-20	63.500	94.456	93.662	25.4	31.85	93.10	0.565

Bearing Number	Boundary Dimensions (mm)		
	d	D	T
F3-8	3	8	3.5
F4-10	4	10	4.5
F5-10	5	10	4
F6-12	6	12	4.5
F7-15	7	15	5.5
F8-16	8	16	5
F9-18	9	18	5
F10-18	10	18	5.5