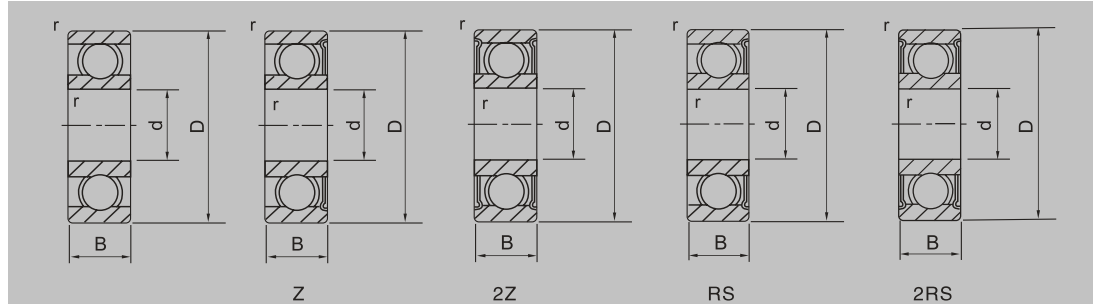


Deep Groove Ball Bearings

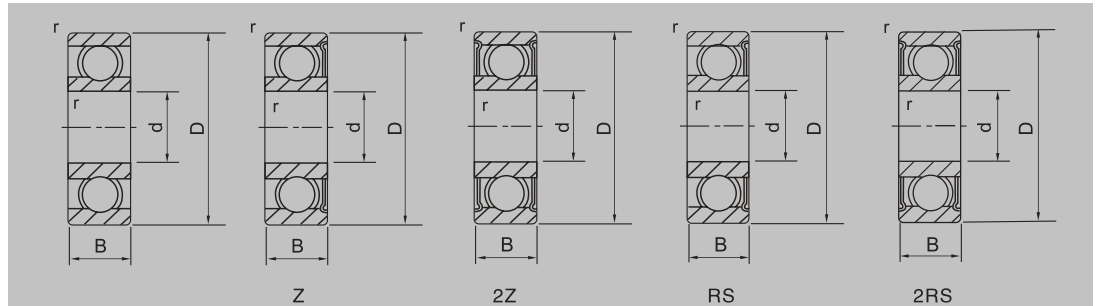


Bearing number	Bore(d) mm	OD(D) mm	Width(B) mm	Radius(r) mm	Basic Load Rating(KN)		Weight Kg
					Dynamic(Cr)	Static(Cor)	
6003	17	35	10	0.5	6.00	3.25	0.040
6004	20	42	12	1.0	9.38	5.05	0.068
6005	25	47	12	1.0	10.06	5.85	0.079
6006	30	55	13	1.5	13.23	8.30	0.113
6007	35	62	14	1.5	16.21	10.42	0.150
6008	40	68	15	1.5	17.03	11.70	0.185
6009	45	75	16	1.5	21.10	14.80	0.230
6010	50	80	16	1.5	22.02	16.25	0.250

Bearing number	Bore(d) mm	OD(D) mm	Width(B) mm	Radius(r) mm	Basic Load Rating(KN)		Weight Kg
					Dynamic(Cr)	Static(Cor)	
6203	17	40	12	1.0	9.57	4.79	0.064
6204	20	47	14	1.5	12.84	6.65	0.103
6205	25	52	15	1.5	14.02	7.88	0.127
6206	30	62	16	1.5	19.46	11.31	0.202
6207	35	72	17	2.0	25.67	15.30	0.287
6208	40	80	18	2.0	29.52	18.14	0.367
6209	45	85	19	2.0	31.67	20.68	0.416
6210	50	90	20	2.0	35.07	23.18	0.462

Bearing number	Bore(d) mm	OD(D) mm	Width(B) mm	Radius(r) mm	Basic Load Rating(KN)		Weight Kg
					Dynamic(Cr)	Static(Cor)	
6303	17	47	14	1.5	13.58	6.58	0.110
6304	20	52	15	2.0	15.94	7.88	0.142
6305	25	62	17	2.0	22.38	11.49	0.220
6306	30	72	19	2.0	27.00	15.20	0.350
6307	35	80	21	2.5	33.36	19.21	0.455
6308	40	90	23	2.5	40.75	24.01	0.640
6309	45	100	25	2.5	52.86	31.83	0.836
6310	50	110	27	2.5	61.86	37.94	1.082

Deep Groove Ball Bearings



Bearing number	Bore(d) mm	OD(D) mm	Width(B) mm	Radius(r) mm	Basic Load Rating(KN)		Weight Kg
					Dynamic(Cr)	Static(Cor)	
16001	12	28	7	0.5	5.10	2.37	0.019
16002	15	32	8	0.5	5.60	2.83	0.027
16003	17	35	8	0.5	6.00	3.25	0.083
16004	20	42	8	0.5	7.90	4.45	0.049
16005	25	47	8	0.5	8.85	5.60	0.059
16006	30	55	9	0.5	11.20	7.35	0.087
16007	35	62	9	0.5	11.70	8.20	0.107
16008	40	68	9	0.5	12.60	9.65	0.130
16009	45	75	10	0.6	14.90	11.40	0.167
16010	50	80	10	0.6	15.40	12.40	0.175

Bearing number	Bore(d) mm	OD(D) mm	Width(B) mm	Radius(r) mm	Basic Load Rating(KN)		Weight Kg
					Dynamic(Cr)	Static(Cor)	
6800	10	19	5	0.5	1.72	0.84	0.005
6801	12	21	5	0.5	1.92	1.64	0.006
6802	15	24	5	0.5	2.07	1.27	0.007
6803	17	26	5	0.5	2.63	1.57	0.010
6804	20	32	7	0.5	4.00	2.47	0.017
6805	25	37	7	0.5	4.30	2.95	0.021
6806	30	42	7	0.5	4.50	3.45	0.024
6807	35	47	7	0.5	4.75	3.90	0.027
6808	40	52	7	0.5	4.90	4.35	0.030
6809	45	58	7	0.5	5.35	5.25	0.038
6810	50	65	7	0.5	6.40	6.20	0.049

Bearing number	Bore(d) mm	OD(D) mm	Width(B) mm	Radius(r) mm	Basic Load Rating(KN)		Weight Kg
					Dynamic(Cr)	Static(Cor)	
6900	10	22	6	0.5	2.70	1.27	0.009
6901	12	24	6	0.5	2.89	1.46	0.011
6902	15	28	7	0.5	4.35	2.26	0.016
6903	17	30	7	0.5	4.60	2.55	0.018
6904	20	37	9	0.5	6.40	3.70	0.036
6805	25	42	9	0.5	7.05	4.55	0.042
6906	30	47	9	0.5	7.25	5.00	0.046
6907	35	55	10	1.0	10.60	7.25	0.074
6908	40	62	12	1.0	13.70	10.00	0.110
6909	45	68	12	1.0	14.10	10.90	0.128
6910	50	72	12	1.0	14.50	11.70	0.132