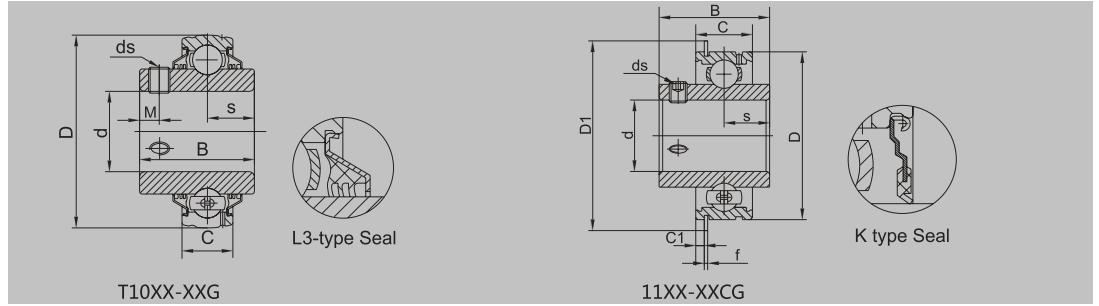
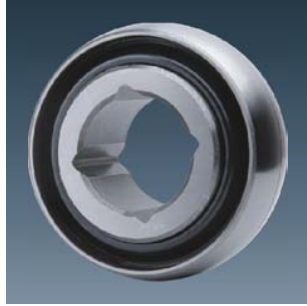


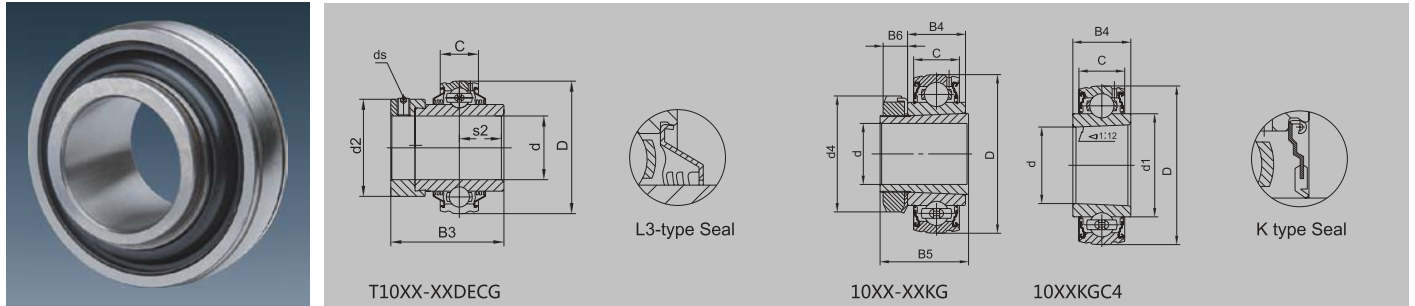
Agricultural Bearings



Bore Dia d(mm)	Bearing NO	Dimensions(mm)						Basic Load Rating(Cr) KN	Basic Static Load Rating (Cor) KN	Weight kg
		D	C	B	S	M	ds			
25	T1025-25G	52.000	15.00	34.11	14.32	5.35	M6×0.75	14.00	7.87	0.17
25	T1030-25G	62.000	18.00	38.1	15.93	5.85	M6×0.75	19.50	11.30	0.3
30	T1030-30G	2.4409	0.709	1.5	0.627	0.211	1/4" -28UNF	4380	2540	0.81
30	T1035-30G	72.000	19.00	42.88	17.53	7.35	M8×1.0	25.7	15.3	0.51
35	T1035-35G	2.8346	0.748	1.688	0.690	0.289	s/16" -24UNF	5780	3440	1.12
35	T1040-35G	80.000	21.00	49.23	19.10	7.95	M8×1.0	29.10	17.9	0.64
40	T1040-40G	3.196	0.827	1.938	0.752	0.313	s/16" -24UNF	6540	4020	1.41
40	T1045-40G	85.000	22.00	49.23	19.10	7.95	M8×1.0	32.50	20.5	0.73
45	T1045-45G	3.3465	0.866	1.938	0.752	0.313	s/16" -24UNF	7310	4610	1.62
45	T1050-45G	90.000	23.00	51.59	19.10	8.95	M10×1.25	35.0	23.2	0.91
50	T1050-50G	3.5433	0.906	2.031	0.752	0.352	3/8" -24UNF	7870	5220	2.00
50	T1055-50G	100.000	25.00	55.55	22.28	9.55	M10×1.25	43.50	29.2	1.12
55	T1055-55G	3.937	0.984	2.187	0.877	0.376	3/8" -24UNF	9780	6560	2.47

Bore Dia d(mm)	Bearing NO	Dimensions(mm)								Basic Load Rating(Cr) KN	Basic Static Load Rating (Cor) KN	Weight kg
		D	D1	C	C1	B	s	f	ds			
20	1120-20CG	47.000	52.68	15.88	2.39	30.96	12.75	1.12	M6×0.75	12.80	6.58	0.23
25	1125-20CG	52.000	57.81	19.05	2.39	34.11	14.32	1.12	M6×0.75	14.00	7.88	0.31
30	1130-30CG	62.000	67.69	22.22	3.18	38.11	5.93	1.70	M8×1.0	19.50	11.30	0.42
35	1135-35CG	72.000	78.51	23.81	3.18	42.88	17.53	1.70	M8×1.0	25.70	15.30	0.61
40	1140-40CG	80.000	86.51	27.78	3.18	49.23	19.10	1.70	M8×1.0	29.10	17.90	0.91
45	1145-45CG	85.000	91.5	27.78	3.18	49.2	19.0	1.70	M8×1.0	32.5	20.5	
50	1150-50CG	90.000	96.49	28.58	3.18	51.59	19.10	2.46	M10×1.0	35.0	23.2	

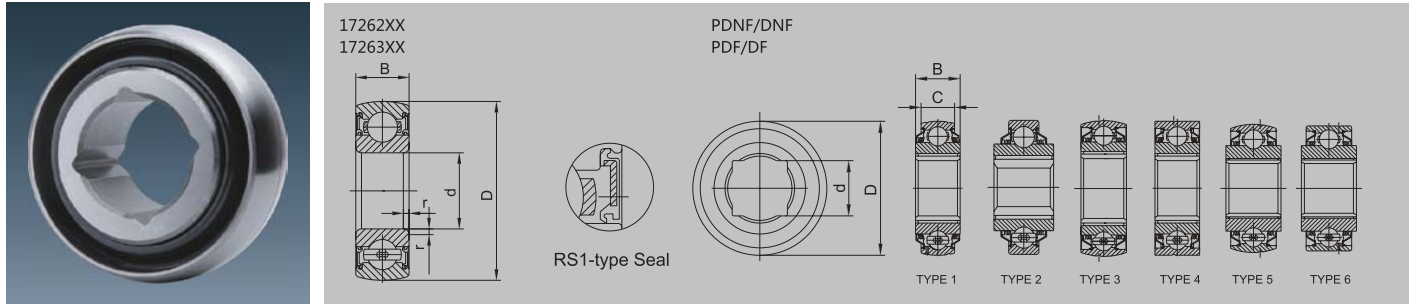
Agricultural Bearings



Bore Dia d(mm)	Bearing NO	Dimensions(mm)						Basic Load Rating(Cr)	Basic Static Load Rating (Cor)	Weight
		D	C	B3	s2	d2	ds	KN	KN	kg
25	T1025-25DECG	52.000	15.00	44.40	17.49	38.10	M6×0.75	14.00	7.87	0.26
30	T1030-30DECG	62.000	18.00	48.42	18.32	44.45	M6×0.75	19.50	11.30	0.53
35	T1035-35DECG	72.000	19.00	51.18	18.89	55.58	M8×1.0	25.7	15.3	0.70
40	T1040-40DECG	80.000	21.00	56.34	21.46	60.30	M8×1.0	29.10	17.9	0.82
45	T1045-45DECG	85.008	22.00	56.34	21.46	63.50	M8×1.0	32.50	20.5	1.08
50	T1050-50DECG	90.000	23.00	62.70	24.65	69.85	M10×1.25	35.0	23.2	1.19
55	T1055-55DECG	100.000	25.00	71.44	27.82	76.20	M10×1.25	43.50	29.2	1.40

Bore Dia d(mm)	Bearing NO			Dimensions(mm)								Weight
	10XX-XXKG	H(E)3XX	10XXKGC4	D	C	B4	B5	B6	d	d1	d4	kg
20	1025-20KG	H305	1025KGC4	52.000	15.00	19.00	29.00	8.00	25.000	34.01	38.00	0.20
25	1030-25KG	H306	1030KGC4	62.000	16.00	20.00	31.00	8.00	30.000	40.00	45.00	0.30
30	1035-30KG	H307	1035KGC4	72.000	17.00	21.00	35.00	9.00	35.000	46.69	52.00	0.42
35	1040-35KG	H308	1040KGC4	80.000	18.00	22.00	36.00	10.00	40.000	52.70	58.00	0.54
40	1045-40KG	H309	1045KGC4	85.000	19.00	23.00	39.00	11.00	45.000	57.3	65.00	0.64
45	1050-45KG	H310	1050KGC4	90.000	20.00	24.00	42.00	12.00	50.000	62.20	70.00	0.75
50	1055-50KG	H311	1055KGC4	100.000	21.00	25.00	45.00	12.00	55.000	68.81	75.00	0.95

Agricultural Bearings



Bearing NO	Dimensions(mm)					Basic Load Rating(Cr) KN	Basic Static Load Rating (Cor) KN	Weight kg
	d	D	B	r				
1726203-2RS	17.000	40.00	12.000	0.6		9.55	4.76	0.06
1726204-2RS	20.000	47.00	14.000	1.0		12.80	6.58	0.10
1726205-2RS	25.000	52.000	15.00	1.0		14.00	7.88	0.12
1726206-2RS	30.000	62.000	16.00	1.0		19.50	11.30	0.20
1726207-2RS	35.000	72.000	17.00	1.0		25.70	15.30	0.28
1726208-2RS	40.000	80.000	18.00	1.0		29.10	17.40	0.35
1726209-2RS	45.000	85.000	19.00	1.0		32.50	20.50	0.40
1726210-2RS	50.000	90.000	20.00	1.0		35.00	23.20	0.50
1726308-2RS	400.000	90.000	23.00	1.5		40.50	23.90	0.60
1726309-2RS	45.0000	100.000	25.00	1.5		53.00	31.70	0.80
1726310-2RS	50.000	110.000	27.00	2.0		62.00	37.90	1.1

Bore Dia d(mm)	Bearing NO	TYPE	Dimensions(mm)			Basic Load Rating(Cr) KN	Basic Static Load Rating (Cor) KN	Weight Kg
			D	B	C			
41.00	DNF155/12AGY	1	100.000	33.34	25.00	4350	29.2	
38.92	DNF155/12GY	1	100.000	33.34	25.00	4350	29.2	
29.24	DNF240/9Y	1	80.000	36.51	21.00	29.52	18.14	
30.74	DNF240/9AGY	1	80.000	36.51	21.00	29.52	18.14	
26.10	DNF240/8Y×Y	1	80.000	36.51	21.00	29.52	18.14	
26.10	DF240/8Y=2	2	80.000	36.51	18.00	29.52	18.14	
29.24	DF240/9=2	2	80.000	36.51	18.00	29.52	18.14	
22.89	PDNF240/7Y	5	80.000	36.51	30.16	29.52	18.14	
41.00	PDF155/12AY	4	100.000	33.34	33.34	43.50	29.2	
41.00	PDNF155/12AY	3	100.000	33.34	33.34	43.50	29.2	
38.92	NDF155/12Y	1	100.000	33.34	25.00	43.50	29.2	
32.75	PDNF245/10Y	5	85.000	36.51	30.16	31.63	20.74	
32.75	NDF245/10Y	1	85.000	36.51	22.00	31.63	20.74	
30.74	PDNF245/9AY	5	85.000	36.51	30.16	31.63	20.74	